

FREEWAY TURNSTILE

SWEEPER-HG

Sweeper-HG is a special version of Sweeper, with high glasses available up to 1800 mm from the floor. It helps to avoid transfer of anything above the turnstile, as well as over-jumping it. Special design allows to arrange even 900 mm passage which can be used for people with special needs. In the same time, both dimensions (height of wings and passage width) can be tailored according to customer's needs. Wings are made from safety tempered glass, but can be also made of polycarbonate or metal tube (to have vandal proof features).



30
pers/min

CROSSING CAPACITY



0,8
sec

OPENING/CLOSING



900
mm

PASSAGE WIDTH

SWING-TYPE BARRIER WITH EXTENDED LEVEL OF SECURITY

Controlled by:

- access control system;
- manual control

When power goes OFF both directions are free.

Electrical Specifications:

- Voltage:
 - from the AC (100-240)V, 50/60Hz;
 - from a DC source 12 V
- Maximum power consumption 50 W per pass;
- Degree of protection according to GOST 14254-96 - IP41

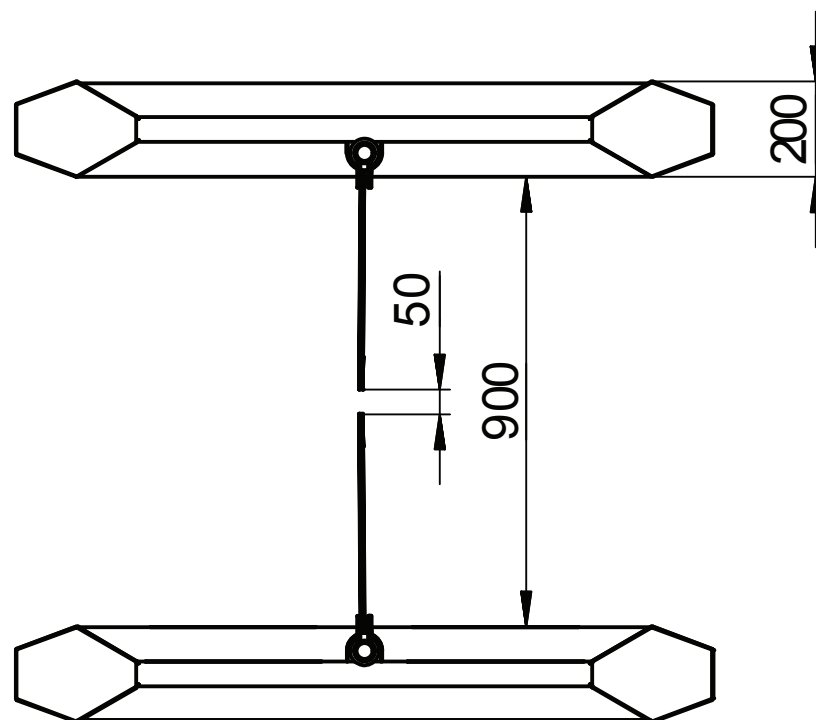
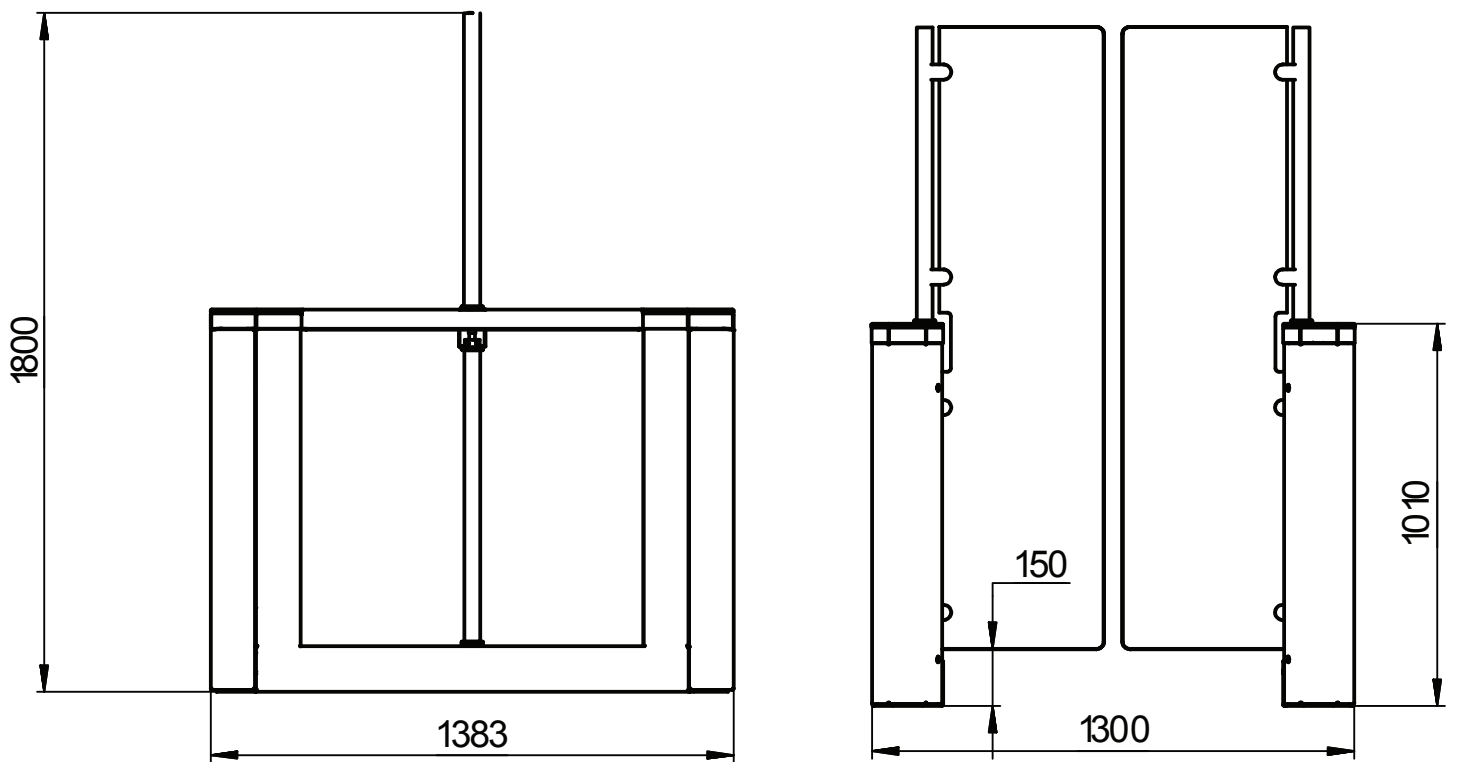
Technical Specifications:

Length	1383 mm
Width	1300 mm
Height	1800 mm
Weight, not more	450 kg



www.tiso.global
+380 (44) 291-21-11
e-mail: export@tiso.ua





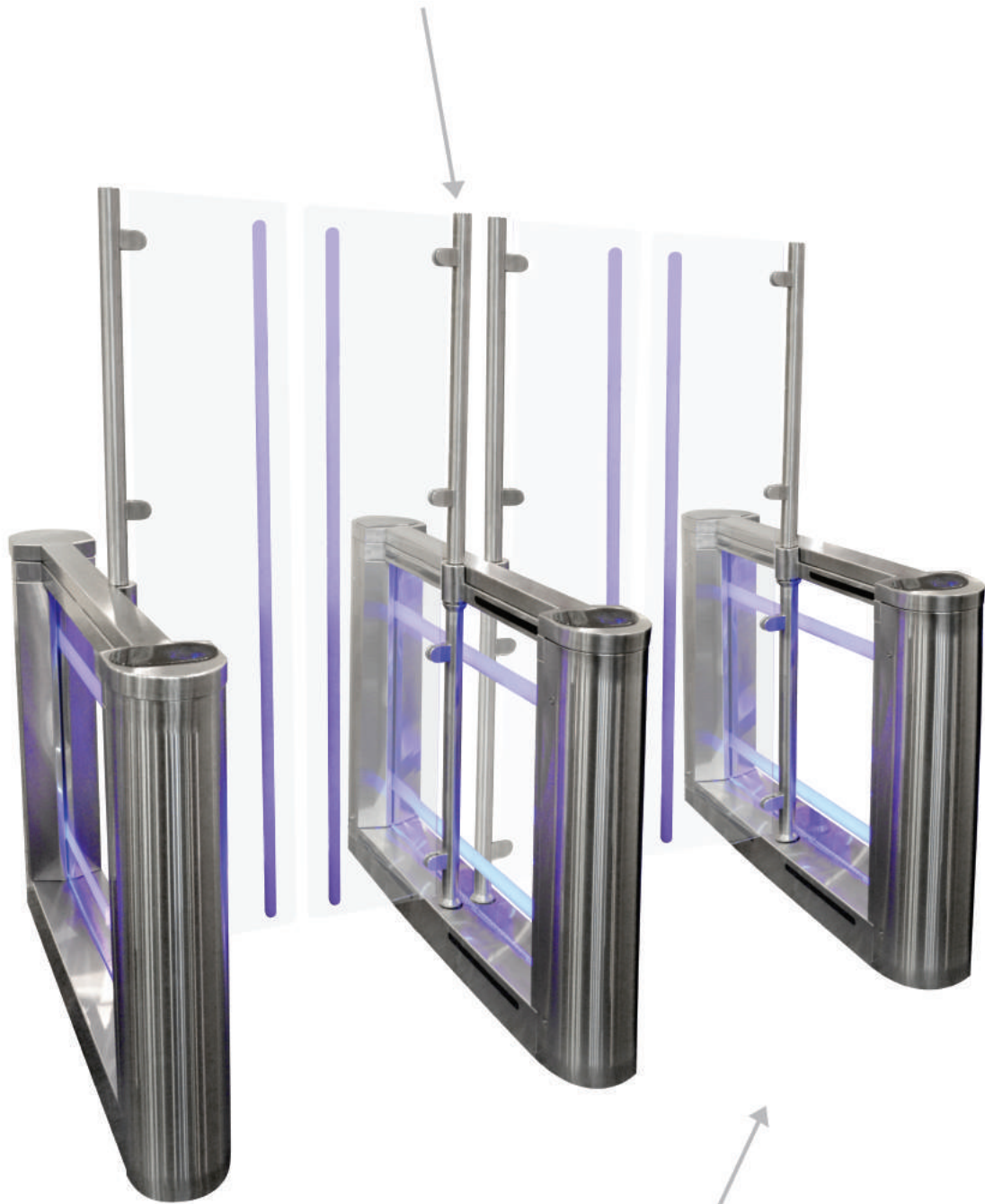
* Dimensions for 900 mm passage



www.tiso.global
 +380 (44) 291-21-11
 e-mail: export@tiso.ua



SWEEPER-HG - 2



SWEEPER-HG - 1



www.tiso.global
+380 (44) 291-21-11
e-mail: export@tiso.ua

